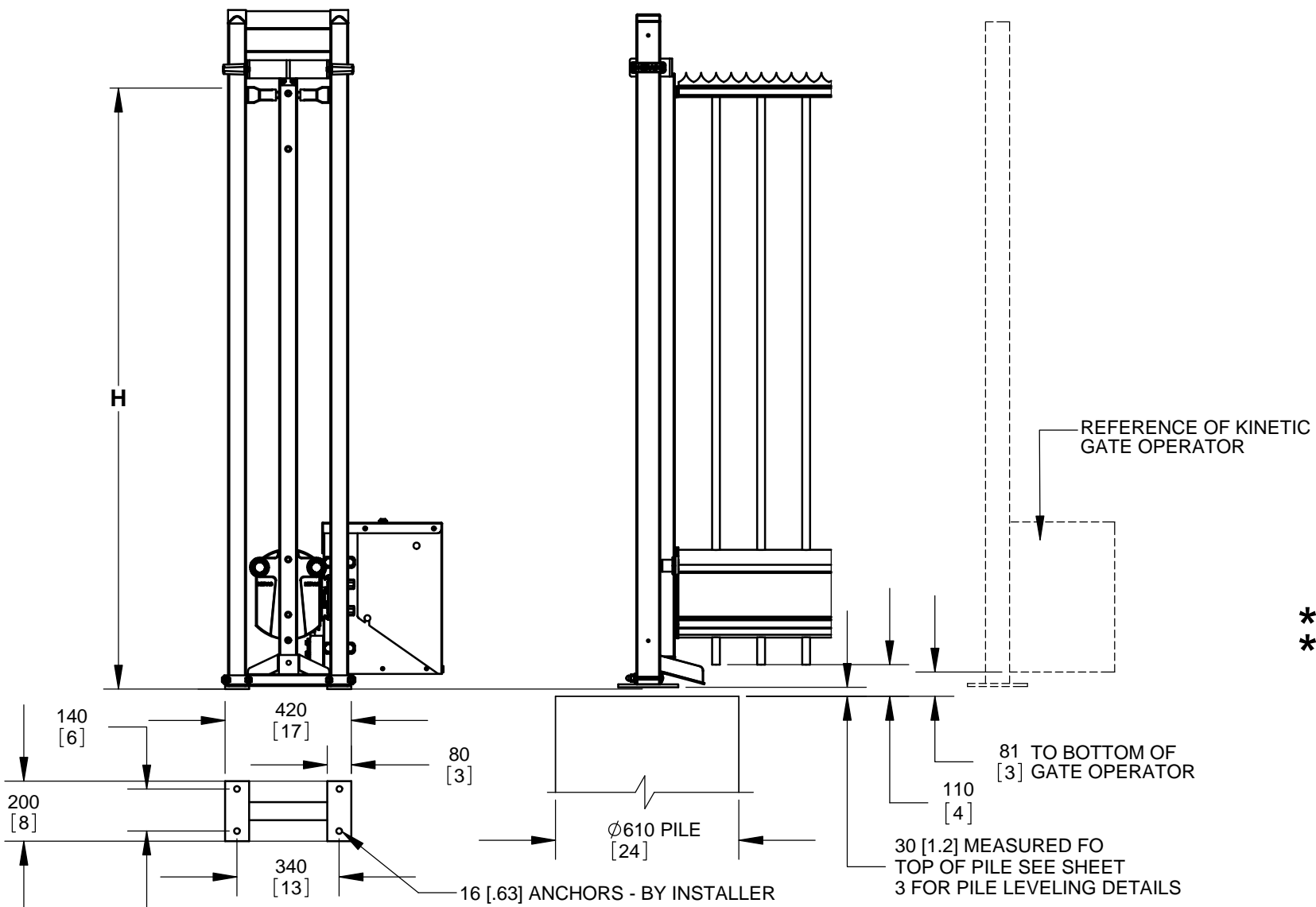


NOTE:
 "U" DIMENSION IS THE MAXIMUM GATE FOOTPRINT AFTER INSTALLATION INCLUDING GATE LEAF TRAVEL.
 MODELS 85, 95 & 120 "U" IS MEASURED TO OUTER EDGE OF REAR REST SHOE



NOTES:

STANDARD FINISH: HOT DIPPED GALVANIZED FINISH ON ALL STEEL COMPONENTS
 ALUMINUM COMPONENTS - MILL FINISH
 DIMENSIONS ARE SHOWN IN MILLIMETERS. DIMENSIONS SHOWN IN [] ARE IN INCHES
 * MODELS 95 & 120 ARE AVAILABLE IN 2000mm [78.7"] HEIGHT ONLY

Delta Model	H	A	B	C	D	U max	Beam Length / (Qty)
30/150	1500 [59.1]	3310 [130.3]	1800 [70.1]		2925 [115.2]	8560 [337.0]	5150 [202.8] (x1)
30/200	2000 [78.7]						
30/250	2500 [98.4]						
40/150	1500 [59.1]	4360 [171.2]	1800 [70.1]		3975 [156.5]	10660 [419.7]	6200 [244.1] (x1)
40/200	2000 [78.7]						
40/250	2500 [98.4]						
50/150	1500 [59.1]	5260 [207.1]	2300 [90.6]		4875 [191.9]	12960 [510.2]	3800 [149.6] (x2)
50/200	2000 [78.7]						
50/250	2500 [98.4]						
60/150	1500 [59.1]	6160 [242.5]	2300 [90.6]		5775 [227.4]	14760 [581.1]	4250 [167.3] (x2)
60/200	2000 [78.7]						
60/250	2500 [98.4]						
70/150	1500 [59.1]	7460 [293.7]	2800 [110.2]		7075 [278.5]	17860 [703.1]	5150 [202.8] (x2)
70/200	2000 [78.7]						
70/250	2500 [98.4]						
85/150	1500 [59.1]	8660 [340.9]	2800 [110.2]	8660 [340.9]	8275 [325.8]	20260 [797.6]	5750 [226.4] (x2)
85/200	2000 [78.7]						
85/250	2500 [98.4]						
* 95/200	2000 [78.7]	9560 [376.4]	2800 [110.2]	9560 [376.4]	9175 [361.2]	22060 [868.5]	6200 [244.1] (x2)
* 120/200	1500 [59.1]	12489 [491.7]	3726 [146.7]	12489 [491.7]	12296 [484.1]	28899 [1137.8]	5400 [212.6] (x3)

Product must be installed in accordance with ASTM: F-2200 & UL325

Description:
DELTA GATE STANDARD DIMENSIONS

Customer / Project Name:
 -

Finish:
SEE NOTES

Drawing No.
DELTA-07-25-11

Date:
 7/27/2011

Rev.
A

Sheet:
 1 of 5

FIGURE 3-1

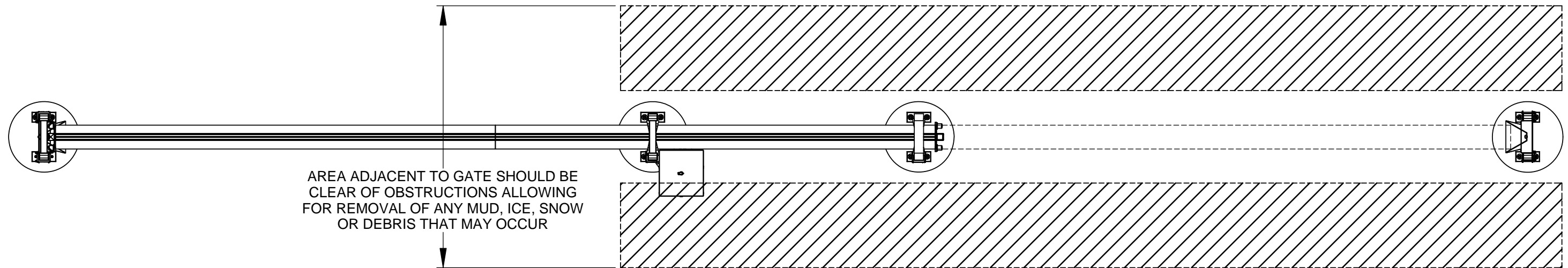


FIGURE 3-2

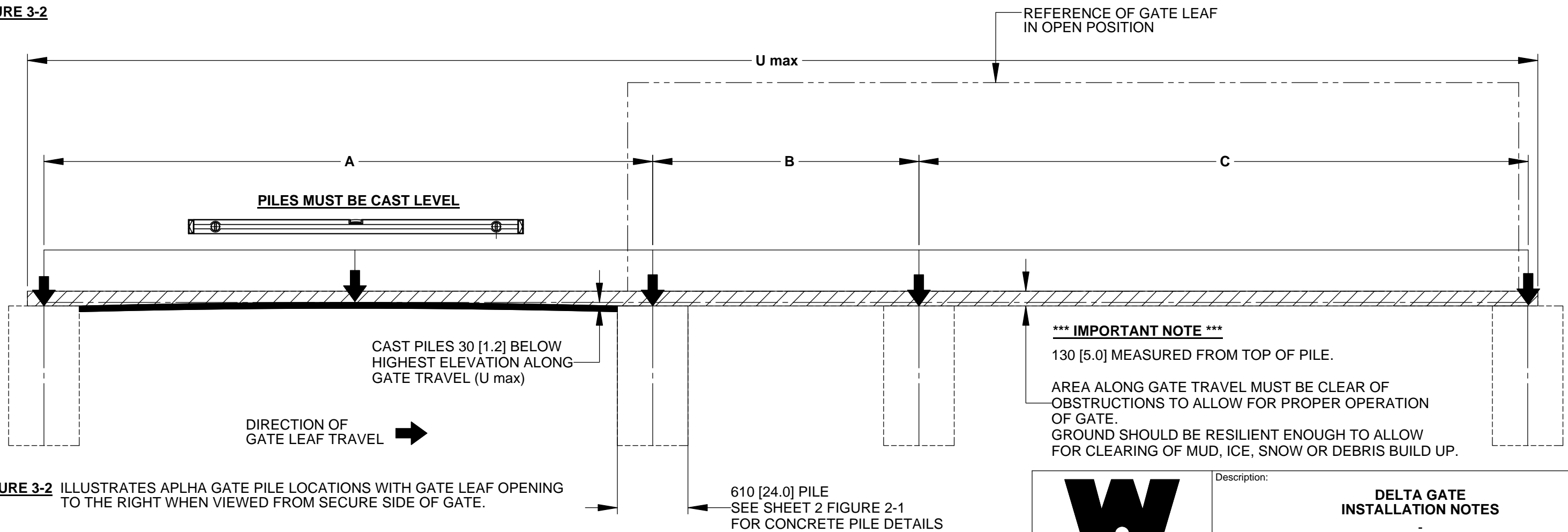
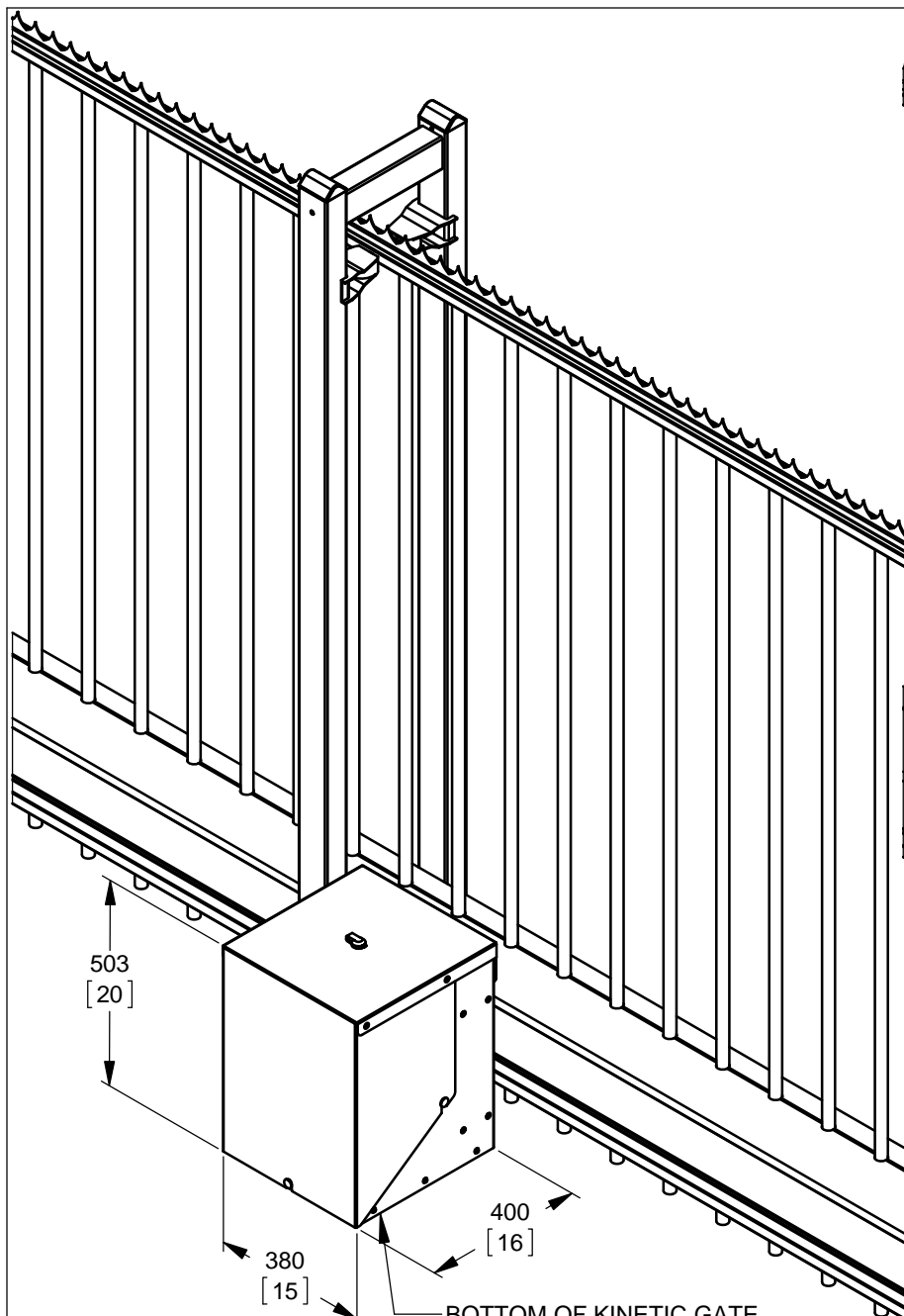


FIGURE 3-2 ILLUSTRATES ALPHA GATE PILE LOCATIONS WITH GATE LEAF OPENING TO THE RIGHT WHEN VIEWED FROM SECURE SIDE OF GATE.

W
WALLACE
INTERNATIONAL

90 Lowson Crescent,
Winnipeg, Manitoba, Canada R3P 2H8
Phone: 1-866-300-1110
Fax: 1-204-284-1868
Web: www.wallaceintl.com

Description:		DELTA GATE INSTALLATION NOTES	
Customer / Project Name:		-	
Finish:	Date:		7/27/2011
Drawing No.	DELTA-07-25-11	Rev.	A
		Sheet:	3 of 5

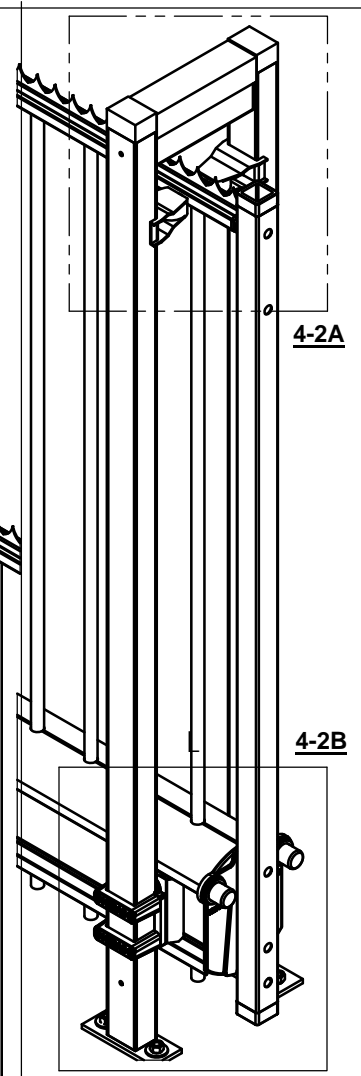
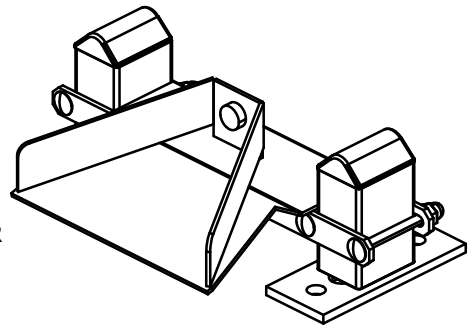


NOTE:
KINETIC GATE OPERATOR IS LOCATED ON THE SECURE SIDE OF GATE. GATE TRAVEL DIRECTION MUST BE SPECIFIED AT TIME OF ORDER TO DETERMINE CORRECT CONTROLLER LOCATION. REFER TO SHEET 2 FOR MORE INFORMATION.

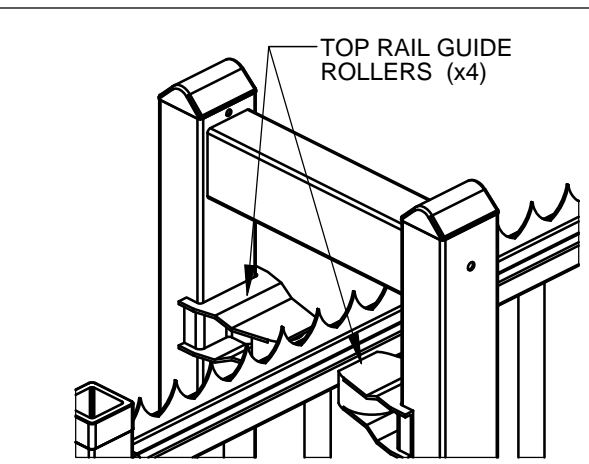
DETAIL 4-1 - GATE CONTROLLER DIMENSIONS

DETAIL 4-4 - REAR REST SHOE

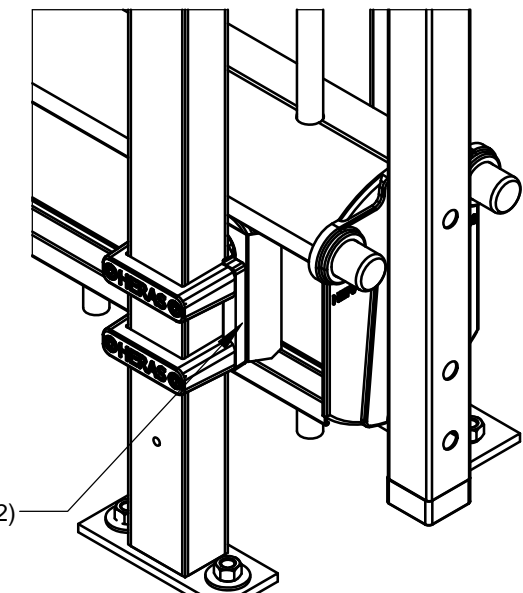
NOTE:
REAR GATE REST SHOE IS RECOMMENDED ONLY IF GATE SIZE IS EQUAL TO OR GREATER THAN 8.5M [335]



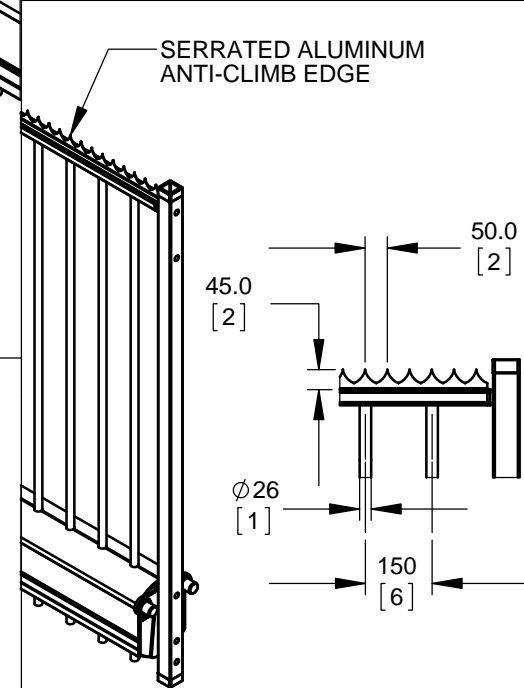
DETAIL 4-2 - ROLLERS



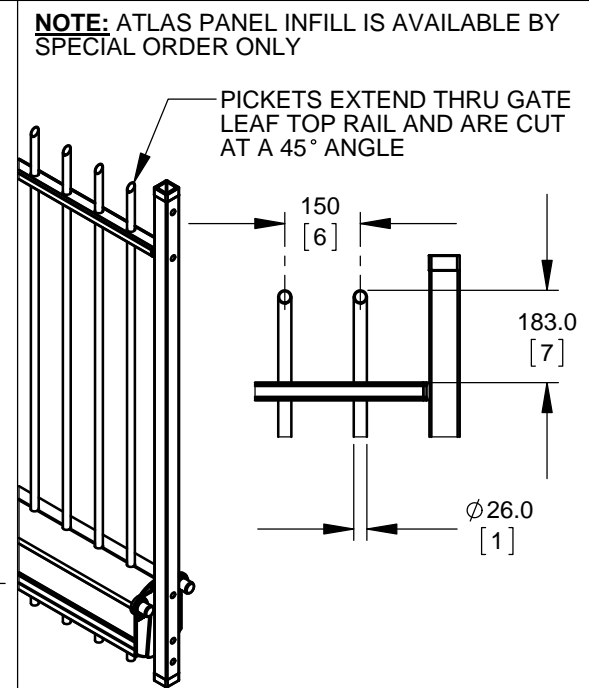
DETAIL 4-2A - TOP RAIL GUIDE ROLLERS



DETAIL 4-2B - ROLLER SET

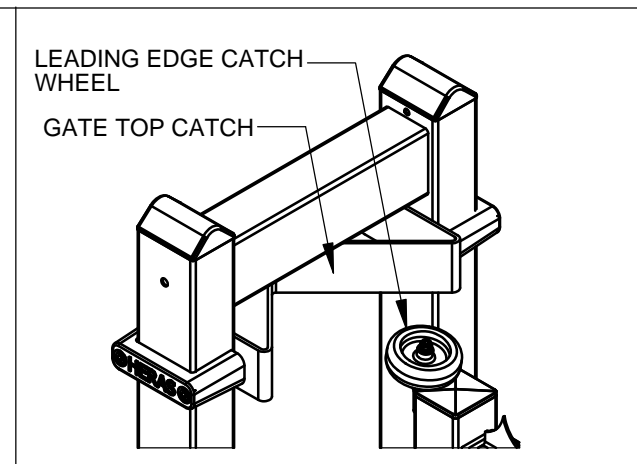


DETAIL 4-5A - HERECLES PANEL INFILL

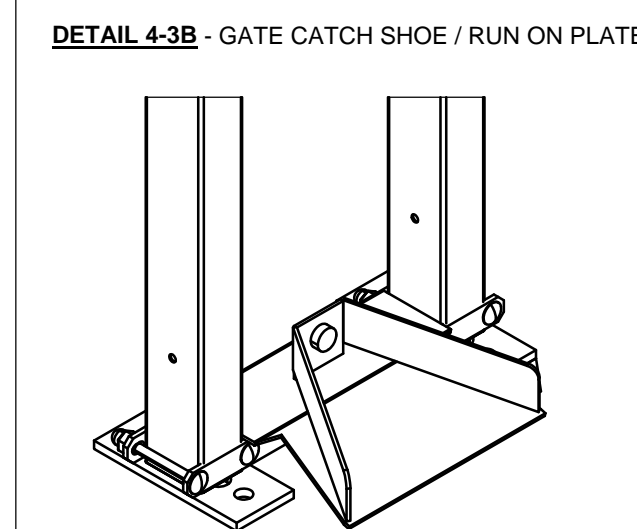


DETAIL 4-5B - ATLAS PANEL INFILL

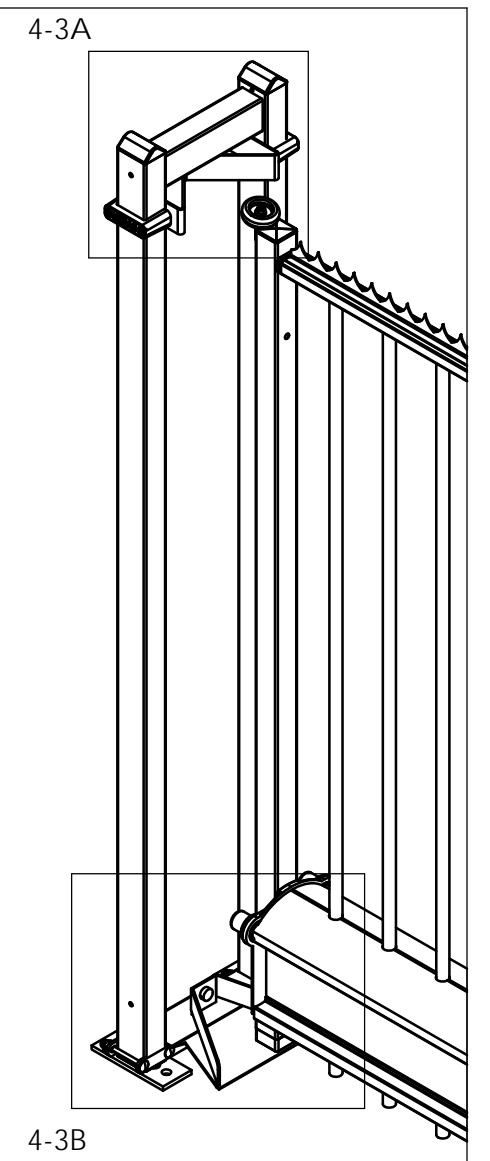
NOTE: ATLAS PANEL INFILL IS AVAILABLE BY SPECIAL ORDER ONLY



DETAIL 4-3A - LEADING EDGE CATCH WHEEL



DETAIL 4-3 - CATCH PORTAL DETAILS



4-3B

NOTES:

GATE FINISH:

- HOT DIPPED GALVANIZED FINISH FOR ALL STEEL COMPONENTS
- ALUMINUM GATE BEAMS - CLEAR ANODIZED FINISH

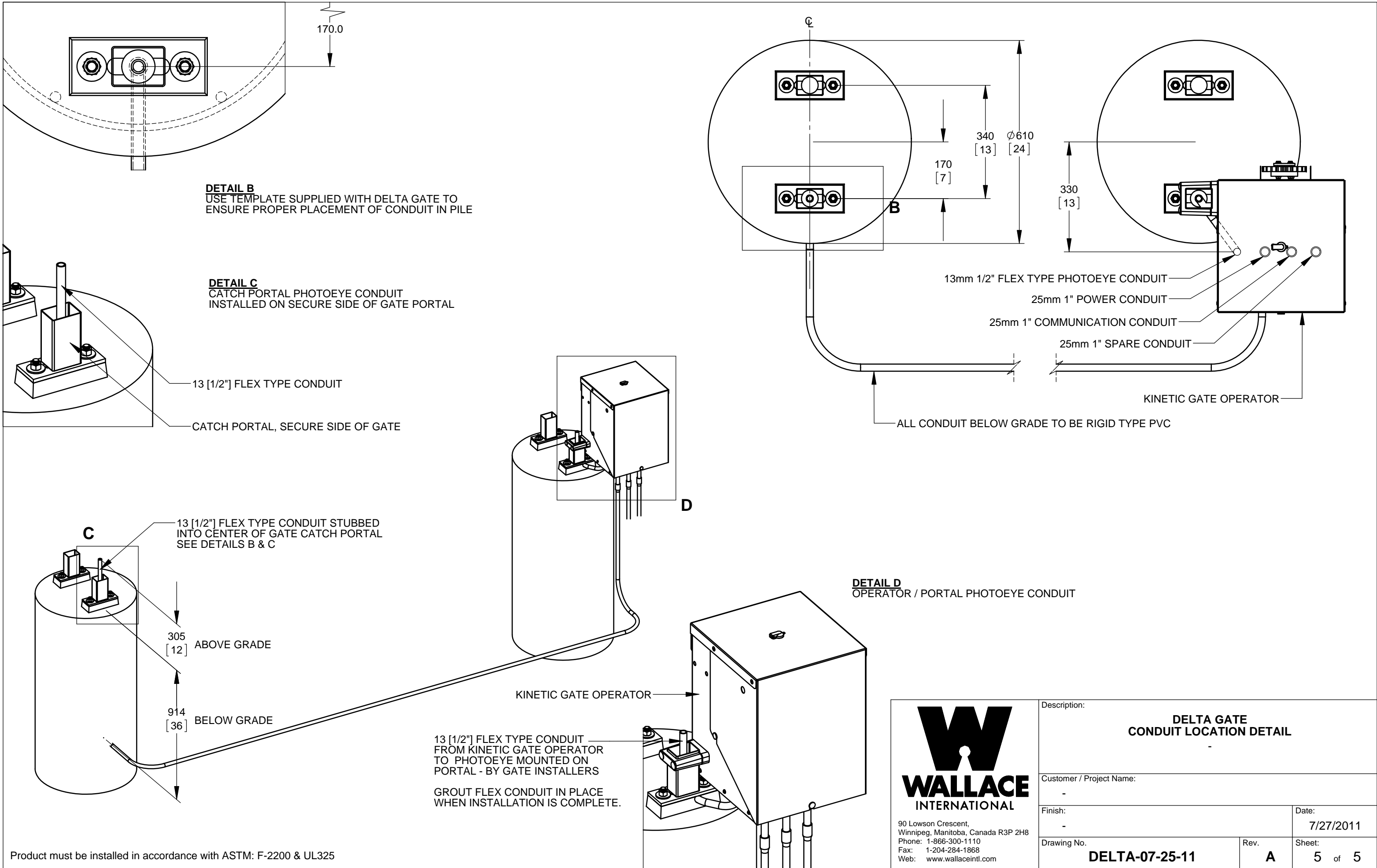
OPTIONAL:

POWDER COAT PAINT FINISH AVAILABLE - RAL COLOR NUMBER MUST BE SUPPLIED AT TIME OF ORDER.

Product must be installed in accordance with ASTM: F-2200 & UL325

90 Lowson Crescent,
Winnipeg, Manitoba, Canada R3P 2H8
Phone: 1-866-300-1110
Fax: 1-204-284-1868
Web: www.wallaceintl.com

Description:		DELTA GATE STANDARD / OPTIONAL COMPONENTS	
Customer / Project Name:		-	
Finish:	-	Date:	7/27/2011
Drawing No.	DELTA-07-25-11	Rev.	A
		Sheet:	4 of 5



DETAIL B
 USE TEMPLATE SUPPLIED WITH DELTA GATE TO ENSURE PROPER PLACEMENT OF CONDUIT IN PILE

DETAIL C
 CATCH PORTAL PHOTOEYE CONDUIT INSTALLED ON SECURE SIDE OF GATE PORTAL

DETAIL D
 OPERATOR / PORTAL PHOTOEYE CONDUIT

13 [1/2"] FLEX TYPE CONDUIT STUBBED INTO CENTER OF GATE CATCH PORTAL SEE DETAILS B & C

13 [1/2"] FLEX TYPE CONDUIT FROM KINETIC GATE OPERATOR TO PHOTOEYE MOUNTED ON PORTAL - BY GATE INSTALLERS
 GROUT FLEX CONDUIT IN PLACE WHEN INSTALLATION IS COMPLETE.



90 Lowson Crescent,
 Winnipeg, Manitoba, Canada R3P 2H8
 Phone: 1-866-300-1110
 Fax: 1-204-284-1868
 Web: www.wallaceintl.com

Description:		DELTA GATE CONDUIT LOCATION DETAIL	
Customer / Project Name:		-	
Finish:	-	Date:	7/27/2011
Drawing No.	DELTA-07-25-11	Rev.	A
		Sheet:	5 of 5