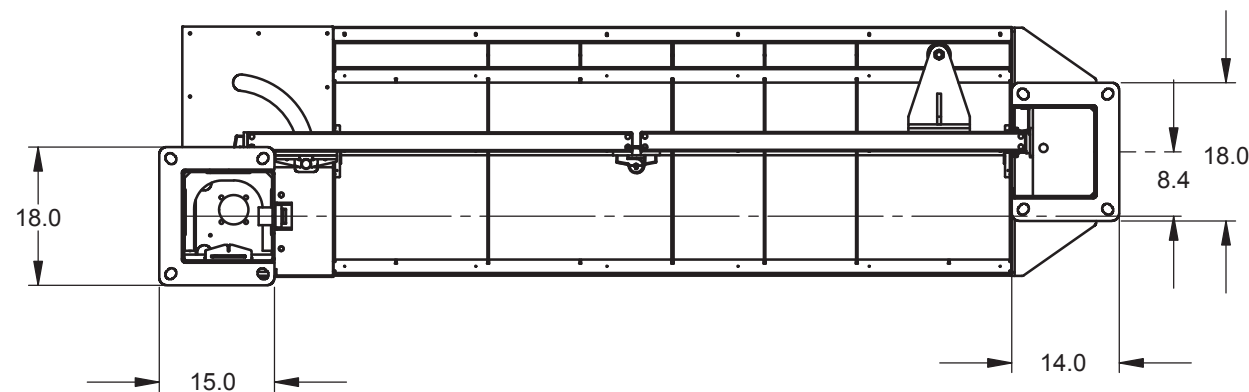
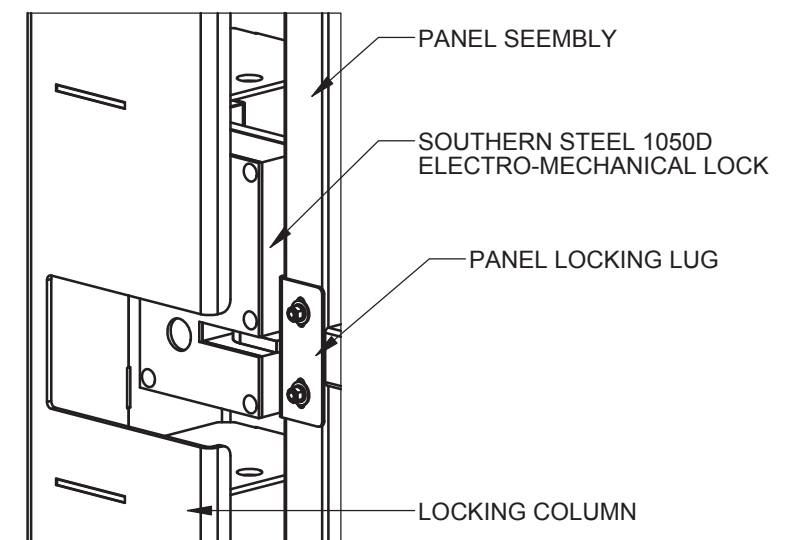


ELECTRICAL CONTROLLER IS MOUNTED IN A 30.0" x 24.0" x 12.0" NEMA 3R ENCLOSURE, c/w WIRING HARNESS. STANDARD HARNESS LENGTH ALLOWS FOR CONTROLLER ENCLOSURE TO BE PLACED UP TO 30 FT. FROM PRIMARY COLUMN. OPTIONAL EXTENDED HARNESS IS AVAILABLE WHERE CONTROLLERS ARE TO BE MOUNTED BEYOND THE STANDARD WIRE HARNESS LENGTH.

CONTROLLERS, ENCLOSURE AND HARNESS BY WALLACE INTERNATIONAL. CONDUIT - BY OTHERS, SEE SHEET 2 FOR CONDUIT SIZES, QUANTITIES AND LOCATIONS.

**POWER REQUIREMENTS - 208 / 240V SINGLE PHASE - 15 AMP**

**LOCKING COLUMN DETAIL**



90 Lawson Crescent,  
 Winnipeg, Manitoba, Canada R3P 2H8  
 Phone: 1-866-300-1110  
 Fax: 1-204-284-1868  
 Web: www.wallaceintl.com

Description:		<b>PDTT          SINGLE BI0FLD CORRIDOR GATE          7' HT.          c/w SOUTHERN STEEL 1050D HIGH SECURITY LOCK</b>	
Customer / Project Name:		-	
Finish:	HOT DIPPED GALVANIZED FINISH	Date:	01/24/2013
Drawing No.	<b>CG-01-24-13</b>	Rev.	Sheet: 1 of 1